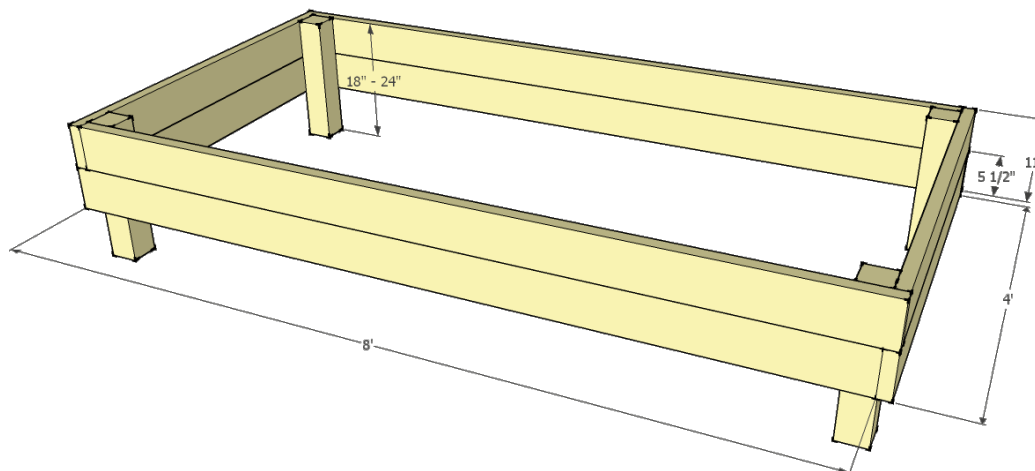


Raised Bed Gardening Notes

Dustin Blakey
County Extension Agent—Staff Chair

BASIC PLAN



Easy Soil Mix (Not the best, but good enough!)

- ½ Sandy topsoil
- ½ Compost
- 1-2 coffee cans of limestone or dolomite